

(12) PATENT APPLICATION PUBLICATION

(21) Application No.201911002689 A

(19) INDIA

(22) Date of filing of Application :22/01/2019

(43) Publication Date : 24/07/2020

(54) Title of the invention : THE SELF-SERVICE SHOPPING CART

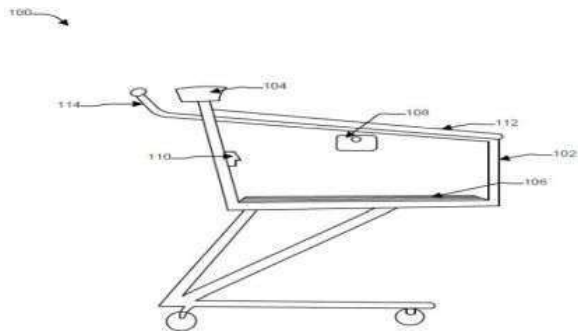
(51) International classification	:G07G0001000000, B65G0001137000, G06Q0010080000, H04N0001000000, G01F0025000000	(71)Name of Applicant : 1)Chitkara Innovation Incubator Foundation Address of Applicant :SCO: 160-161, Sector -9c, Madhya Marg, Chandigarh- 160009, India. Chandigarh India
(31) Priority Document No	:NA	(72)Name of Inventor : 1)GARG, Abhishek
(32) Priority Date	:NA	2)DUGGAL, Manisha
(33) Name of priority country	:NA	
(86) International Application No	:NA	
Filing Date	:NA	
(87) International Publication No	: NA	
(61) Patent of Addition to Application Number	:NA	
Filing Date	:NA	
(62) Divisional to Application Number	:NA	
Filing Date	:NA	

(57) Abstract :

A self-service cart is disclosed. According to an embodiment, the cart can include: a frame adapted with a storage area, the storage area accessible through a controllable lid, the frame having wheels to facilitate movement of the cart; a sensor-detector unit comprising: a scanner disposed on the frame and external to the storage area configured to extract one or more attributes associated with the article, and wherein at least one attribute of the extracted one or more attributes is weight of the article; and a first set of sensors disposed in the storage area and configured to measure weight of the article; and a control unit operatively coupled to the sensor detector unit, said control unit configured to compare the determined weight and the extracted weigh, wherein based on positive comparison, confirmation of article is enabled.

No. of Pages : 19

No. of Claims



: 10